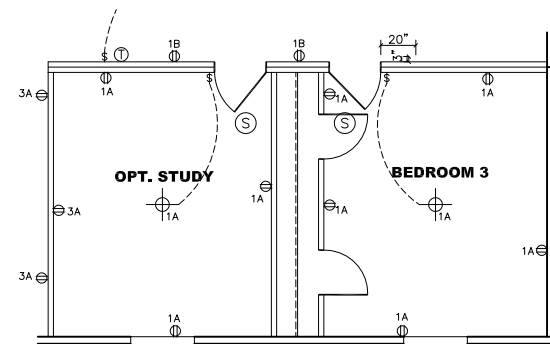
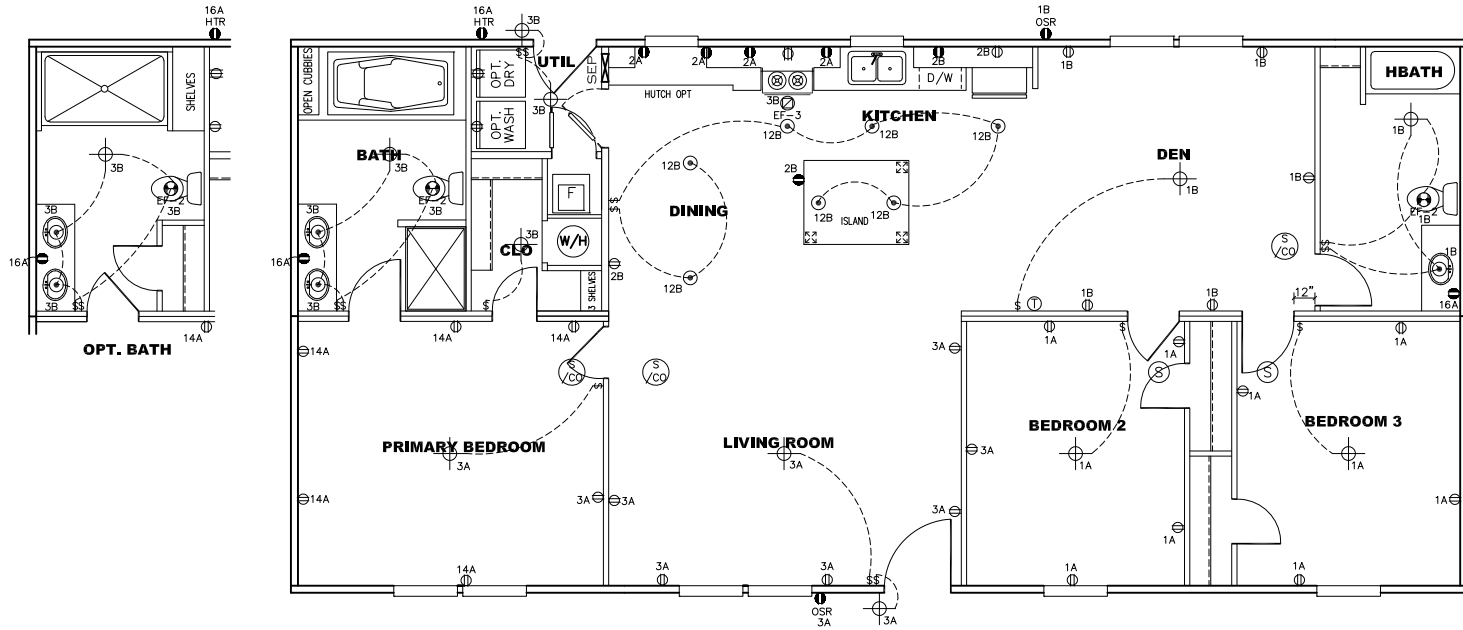


CIRCUIT	CIRCUIT #	WIRE	BREAKER	CIRCUIT	CIRCUIT #	WIRE	BREAKER	CIRCUIT	CIRCUIT #	WIRE	BREAKER
LIGHT/RECEP	1A,1B,3A,3B,14A,12B	14-2	15-SP	WATER HEATER	4A,6B	SEE NOTE #8		BATHROOM	16A	12-2	20-SP
KITCHEN	2A,2B	12-2	20-SP	RANGE	5B,7A	SEE NOTE #8		OPT G/DISP	9B	SEE NOTE #8	
WASHER	12A	12-2	20-SP	FURNACE	6A,8A,B,10A,B	SEE NOTE #8		OPT SPA/WP/JAC	11A,B	SEE NOTE #8	
DRYER	5A,7B	SEE NOTE #8		OPT D/WASH	9A	SEE NOTE #8		FREEZER	N/A	SEE NOTE #8	
				SMOKE ALARM	4B	SEE NOTE #8					

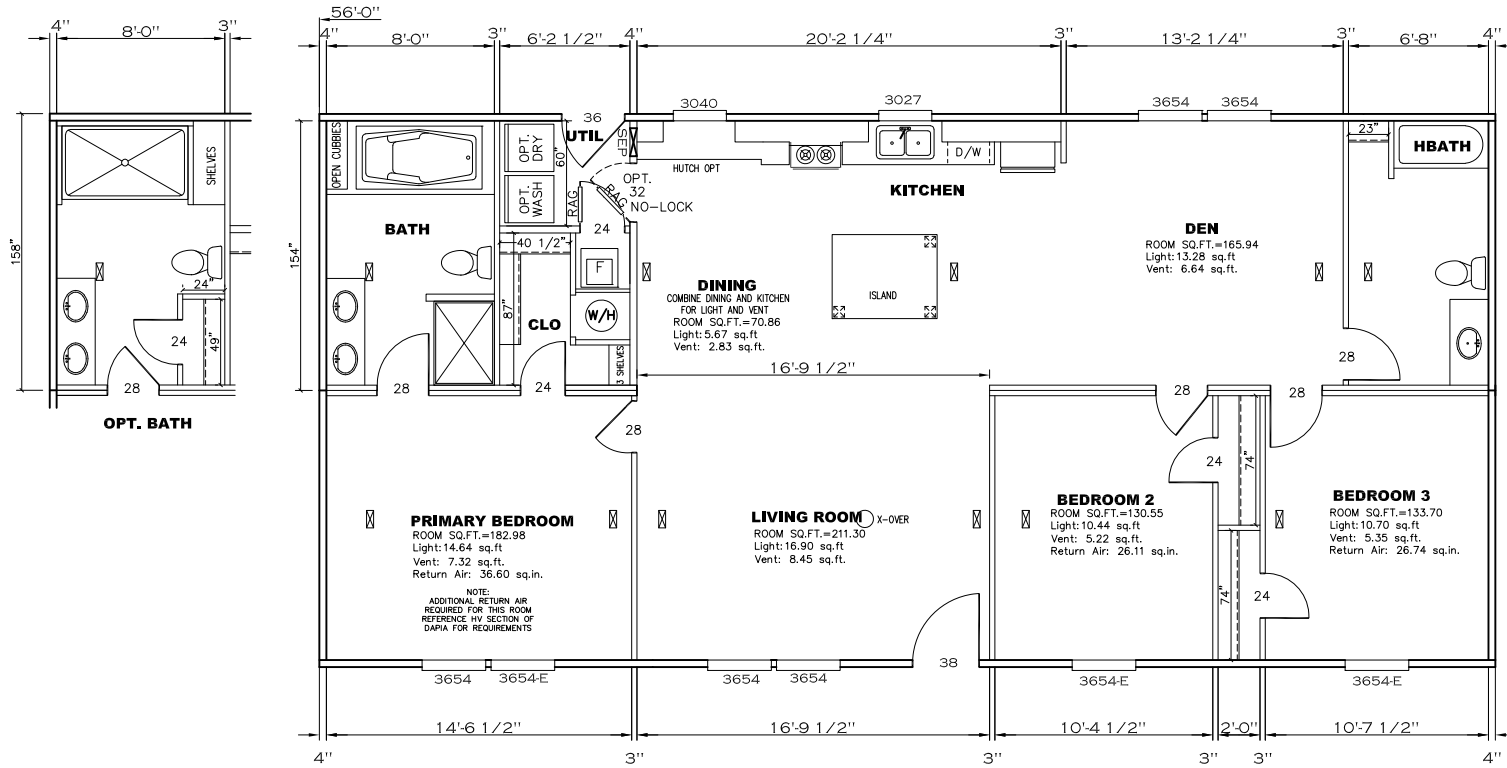


- NOTES:
- ALL CIRCUITS SHOWN ARE FOR REFERENCE AND MAY BE CHANGED BASED ON OPTIONAL COMPONENTS INSTALLED IN THE HOME.
  - REFER TO DAPIA MANUAL FOR SYMBOL CHART.
  - EITHER LIGHT OR RECEPTACLE MUST CONNECT TO SWITCH.
  - EF-1= 50 CFM EXHAUST FAN REQUIRED FOR THERMAL ZONE III THERMAL ZONES I & II MAY USE FAN OR WINDOW W/1.5 SQ. FT. OPENABLE GLASS.
  - EF-2= 50 CFM EXHAUST FAN REQUIRED THERMAL ZONE I, II, AND III.
  - EF-3= 100 CFM RANGE EXHAUST FAN, SWITCH AT HOOD.
  - EF-4= WHOLE HOUSE VENTILATION REQUIREMENTS PER DAPIA MANUAL.
  - REFER TO DAPIA MANUAL OR THE MFG. INSTALLATION INSTRUCTIONS FOR PROPER WIRE SIZE AND BREAKER SIZE FOR SPECIFIC APPLIANCE AND MODEL BEING INSTALLED.
  - ALL SMOKE ALARMS TO BE LOCATED ON THE CEILING.
  - CARBON MONOXIDE ALARMS ARE ONLY REQUIRED WHEN HOME HAS EITHER FUEL BURNING APPLIANCES, IS GARAGE READY OR IS BASEMENT READY. REFERENCE DAPIA MANUAL FOR ADDITIONAL INFORMATION.
  - DIMENSIONS SHOWN ON PRINT ARE APPROXIMATE AND TO BE USED ONLY AS A GUIDELINE.

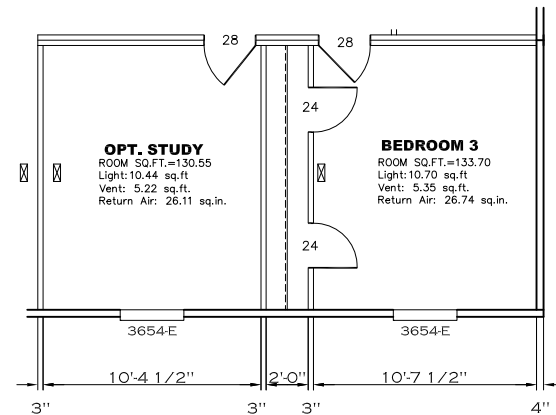
**APPROVED** **HWG** **APPROVED**  
 REVISED  
 22 FEB 2022  
 FP-28-5500  
 Federal Manufactured  
 Home Construction  
 And Safety Standards

1474 SQ.FT. (STD PLAN "CONDITIONED")  
 N/A SQ.FT. (W/OPT. PORCH/RECESS "CONDITIONED")

<b>CMH</b> MANUFACTURING Product Designer: E HARDWICK	Model #: UXL28563A	Drawing #: 29M178
	Date: 1/2/21	Scale: NTS
<b>ELECTRICAL PLAN-06</b>		28' x 56' Ultra Excel 563 REVISION ECR-2315 2/17/22 BH



NOTE: BEDROOM 3 IS WITHIN 35' OF LIVING ROOM DOOR



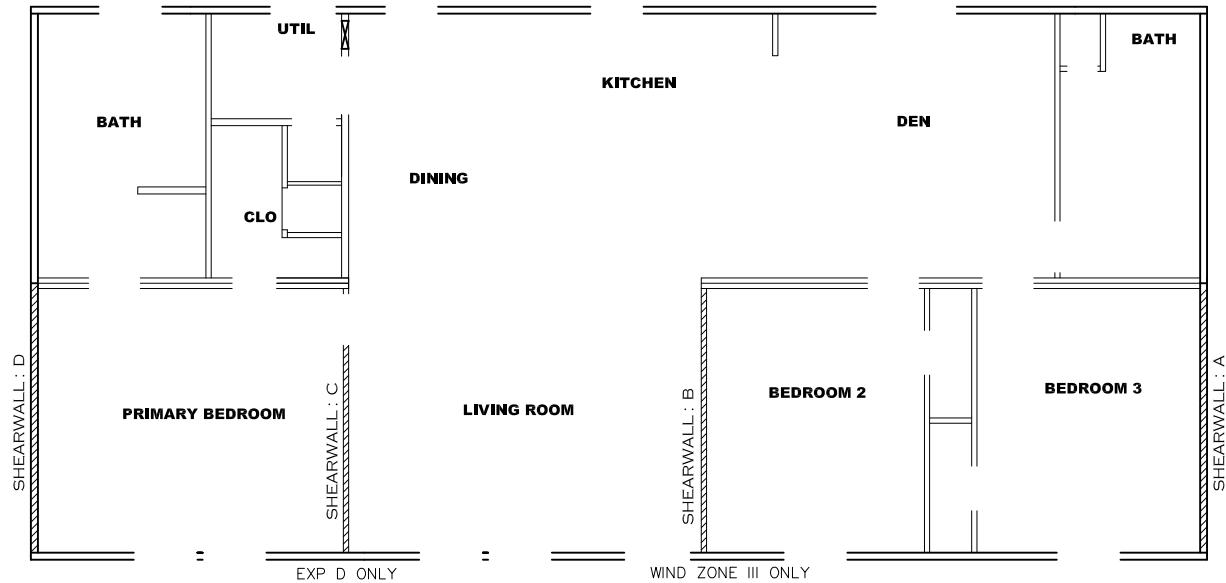
**APPROVED** **HWC** **APPROVED**

REVISED  
22 FEB 2022  
FP-28-5500

3  
Federal Manufactured  
Home Construction  
And Safety Standards

1474 SQ.FT. (STD PLAN "CONDITIONED")  
N/A SQ.FT. (W/OPT. PORCH/RECESS "CONDITIONED")

<b>CMH</b> MANUFACTURING	Model #: UXL28563A	Drawing #:
	Date: 1/2/21	Scale: NTS
Product Designer: E HARDWICK	28' x 56' Ultra Excel 563	
<b>FLOOR PLAN</b>		REVISION ECR-2315 2/17/22 EH



**Model # 29M178-8FT**

Box Width = 158 " Double wide Minimum Joist Spacing 16 "  
 Box Length = 56 ft. 95.5" 10" MIN.IBEAM No Offset Box  
 No Skylights No Clerestory No Origami Dormer  
 No Porches No Sunken Floor No Parapet Roof  
 Joist Size = #2 sp 2x6 Lags 9Mx3" No Parapet Roof

**Version R13.8**

Wind Zone 1 Standard Roof						
(3/8" sheathing only with 15 gax 1.5" at 5"/10" oc. (197 plf) Chords: #3 2x4 plate w/ 2x4 rail spliced w/ 12" glue block.						96 inch sidewall
Shearwall	Dist./ Hitch	Length	PLF	# of Joists	Lags	Notes
A	0'	128"	162	2	2/1	
D	56'	128"	162	2	2/1	

Wind Zone 2 Standard Roof						
(3/8" sheathing only with 15 gax 1.5" at 5"/10" oc. (197 plf) Chords: #3 2x4 plate w/ 2x4 rail spliced w/ 12" glue block.						96 inch sidewall
Shearwall	Dist./ Hitch	Length	PLF	# of Joists	Lags	Notes
A	0'	Full	425	2	5/5	
D	56'	Full	425	2	5/5	

Wind Zone 3 Standard Roof						
(3/8" sheathing only with 15 gax 1.5" at 5"/10" oc. (197 plf) Chords: #3 2x4 plate w/ 2x4 rail spliced w/ 12" glue block.						96 inch sidewall
Shearwall	Dist./ Hitch	Length	PLF	# of Joists	Lags	Notes
A	0'	Full	425	2	5/5	
B	23.96'	Full	425	2	3/3	0.66
D	56'	Full	425	2	5/5	

**Model # 29m178-8ft-EXP D**

Box Width = 158 " Double wide No Offset Box  
 Box Length = 56 ft. 95.5" 12" MIN.IBEAM No Clerestory  
 No Skylights No Origami Dormer  
 No Porches No Sunken Floor  
 Joist Size = #2 spf 2x6 Lags 9Mx3" No Parapet Roof

Minimum Joist Spacing 16 "

**Version R13.8**

WZ 3 Standard Roof Exp D						
(3/8" & ceiling with 15 gax 1.5" at 5"/10" oc. (267 plf) Chords: #3 2x4 plate w/ 2x4 rail spliced w/ 12" glue block.						96 inch sidewall
Shearwall	Dist./ Hitch	Length	PLF	# of Joists	Lags	Notes
A	0'	Full	425	2	5/5	
B	23.96'	Full	425	2	3/3	
C	41'	116"	425	3	4/1	
D	56'	140"	162	2	2/1	

**APPROVED**

**HWC**

**APPROVED**

06 DEC 2021  
 FP-28-5500  
 Federal Manufactured Home Construction And Safety Standards

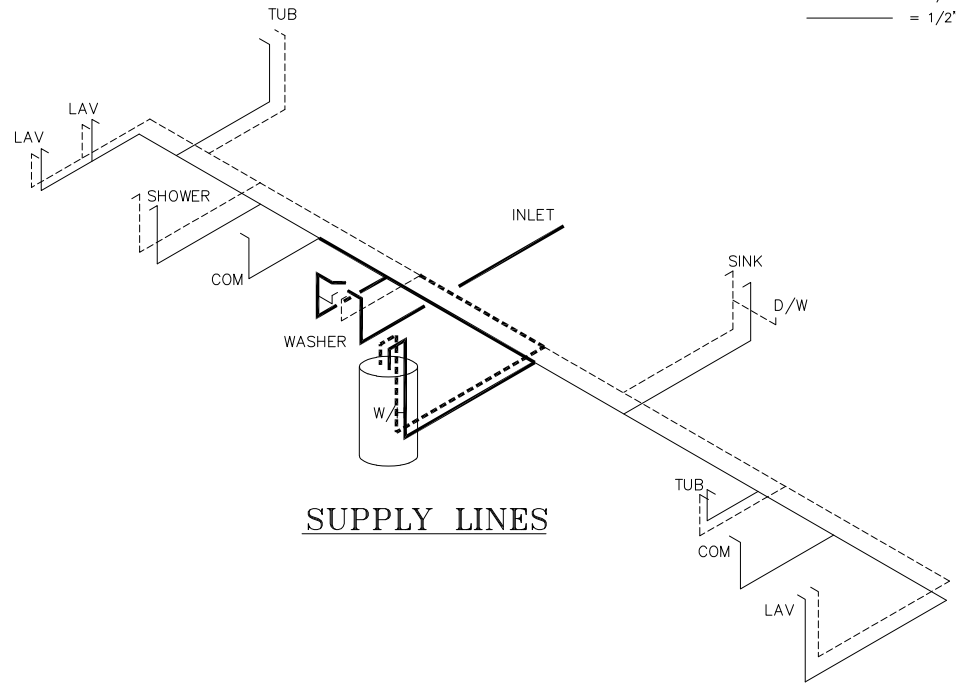
1474 SQ.FT. (STD PLAN "CONDITIONED")  
 N/A SQ.FT. (W/OPT. PORCH/RECESS "CONDITIONED")

<b>CMH</b> MANUFACTURING	Model #: UXL28563A	Drawing #:
	Date: 12/2/21	Scale: NTS 29M178
Product Designer: E HARDWICK		28' x 56' Ultra Excel 563
<b>8' SHEARWALL</b>		

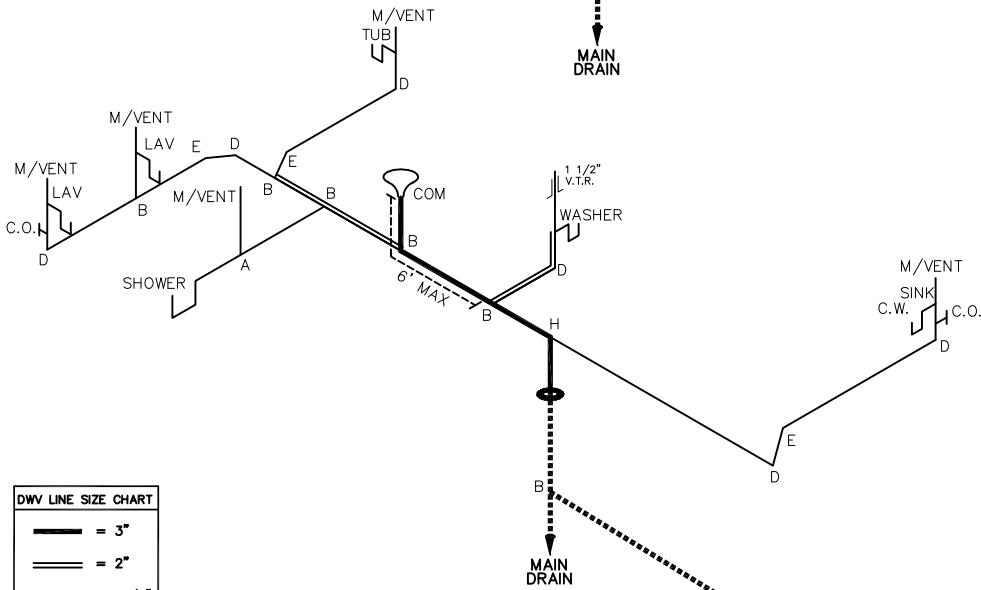
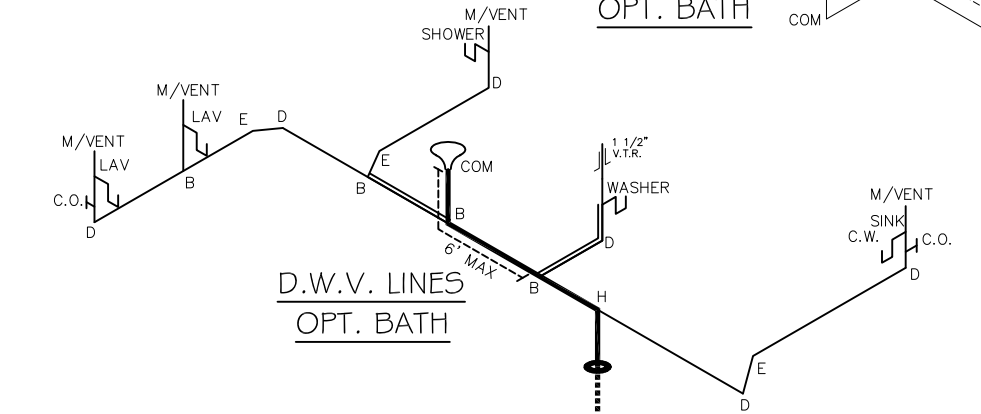
NOTE:  
DASHED LINES INDICATE HOT WATER  
SOLID LINES INDICATE COLD WATER

— = 3/4"  
— = 1/2"

SUPPLY LINES  
OPT. BATH



D.W.V. LINES  
OPT. BATH



**DWV LINE SIZE CHART**

— = 3"  
— = 2"  
— = 1 1/2"

LEGEND	
A	SHORT TURN T-Y
B	LONG TURN T-Y
C	1/4 BEND
D	LONG SWEEP 1/4 BEND
E	45 ELL
F	DBL. SANITARY TEE
G	4x3 CLOSET ELL
H	DOUBLE ELL
I	22 1/2" ELL
J	45° Y
K	LONG TURN STREET ELBOW
L	45 FTG ELL

**APPROVED** **HWG** **APPROVED**  
REVISED  
22 FEB 2022  
FP-28-5500  
Federal Manufactured  
Home Construction  
And Safety Standards

1474 SQ.FT. (STD PLAN "CONDITIONED")  
N/A SQ.FT. (W/OPT. PORCH/RECESS "CONDITIONED")

<b>CMH</b> MANUFACTURING	Model #: UXL28563A	Drawing #: 29M178
	Date: 1/2/21	Scale: NTS
Product Designer: E HARDWICK		28' x 56' Ultra Excel 563
<b>D.W.V. and Supply Lines</b>		<b>REVISION ECR-2316</b> 2/17/22 BH