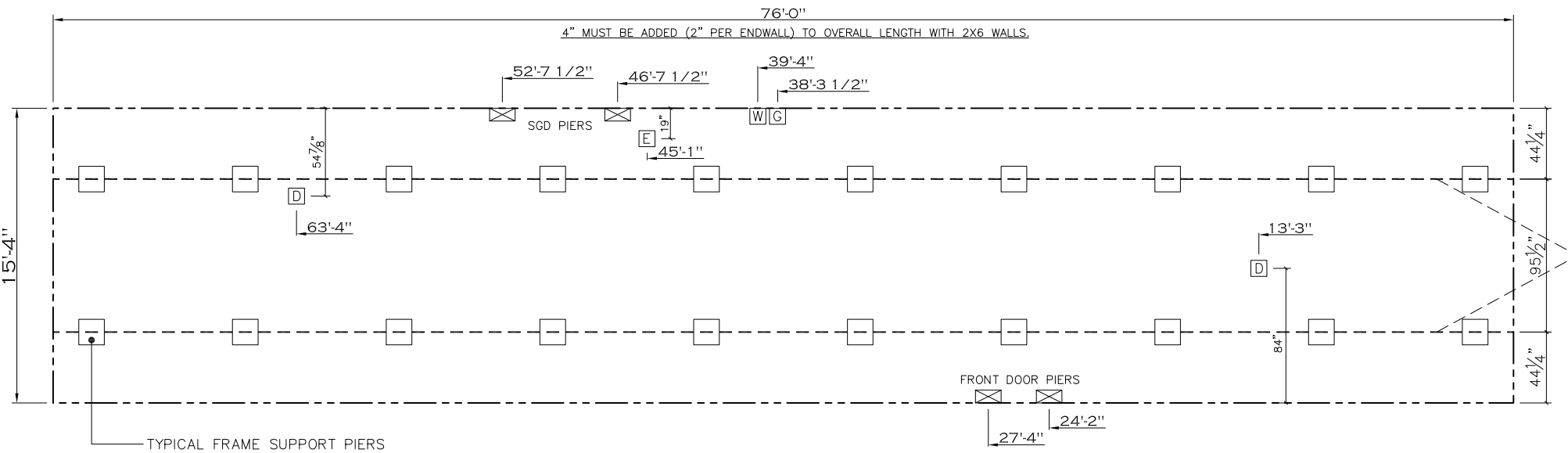


4" MUST BE ADDED (2" PER SIDEWALL) TO OVERALL WIDTH WITH 2X6 WALLS.



20 lb ROOF LOAD SIDEWALL OPENING PIER LOAD 16' BOX WIDTH	SIDEWALL OPENING (FT) REQUIRED PIER LOAD (LBS)					
	3	4	5	6	8	10
	1244	1413	1581	1750	2088	2425

\*FOR 30 lb & 40 lb ROOF LOAD REFER TO TABLES 7 & 7a IN THE INSTALLATION MANUAL.

SERVICE DROP LEGEND	
<span style="border: 1px solid black; padding: 2px;">E</span>	= ELECTRICAL DROP
<span style="border: 1px solid black; padding: 2px;">W</span>	= WATER INLET
<span style="border: 1px solid black; padding: 2px;">D</span>	= DWV PLUMBING DROP
<span style="border: 1px solid black; padding: 2px;">G</span>	= GAS INLET

PIER LEGEND	
<span style="border: 1px solid black; display: inline-block; width: 10px; height: 10px;"></span>	= PIER MAIN BEAM
<span style="border: 1px solid black; display: inline-block; width: 10px; height: 10px; border-style: dashed;"></span>	= PIER PERIMETER
<span style="border: 1px solid black; display: inline-block; width: 10px; height: 10px; background-color: black;"></span>	= PIER PORCH/RECESSED ENTRY

**GENERAL NOTES:**

- PIER LOADS SHOWN ARE TO BE USED TO SIZE THE FOOTINGS BELOW THE MARRIAGEWALL FOR COLUMN SUPPORT PIERS. REFER TO TABLES 6b AND 6c IN THE INSTALLATION MANUAL FOR LOAD ON FRAME PIER FOOTINGS FOR HOMES THAT DO NOT REQUIRE PERIMETER BLOCKING. REFER TO TABLES 7b AND 7c IN THE INSTALLATION MANUAL FOR LOAD ON FRAME PIER FOOTINGS THAT REQUIRE PERIMETER BLOCKING. REFER TO TABLES 10 AND 10a TO DETERMINE FOOTING SIZE FOR ALL PIERS.
- REFER TO TABLE 9 FOR PIER CONFIGURATION AND MAXIMUM ALLOWABLE HEIGHTS. CROSS REFERENCE THE PIER HEIGHT WITH THE MAXIMUM ALLOWABLE FLOOR HEIGHT LISTED IN THE FRAME TIEDOWN CHARTS (TABLE 18, 19, AND 20).
- FLOOR WIDTH SHOWN IS FOR STANDARD PRODUCT ONLY. CONTACT THE MFG PLANT FOR SPECIFICATIONS OF OPTIONS ORDERED.
- SERVICE DROP LOCATIONS IDENTIFIED ARE APPROXIMATE.
- THE MAXIMUM SPACING FOR 8" I-BEAMS IS 8 FEET, 10" & 12" I-BEAMS ARE 10 FEET.

1165 SQ.FT. (STD PLAN "CONDITIONED")  
N/A SQ.FT. (W/OPT. PORCH/RECESS "CONDITIONED")

<b>CMH</b> MANUFACTURING	Model #: ANN16763P	Drawing #:
	Date: 6/25/18	Scale: NTS
Product Designer: E. HARDWICK		295100
16 X 76 ANNIVERSARY		
FRAME PIERS		