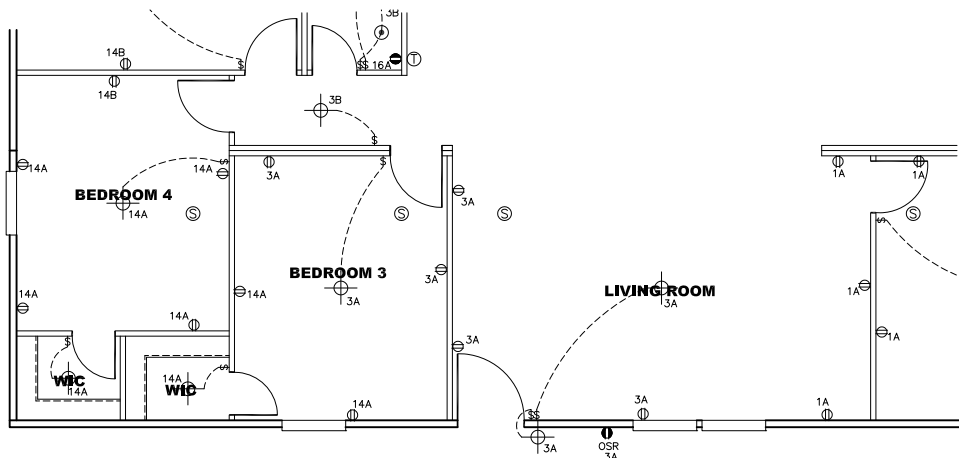
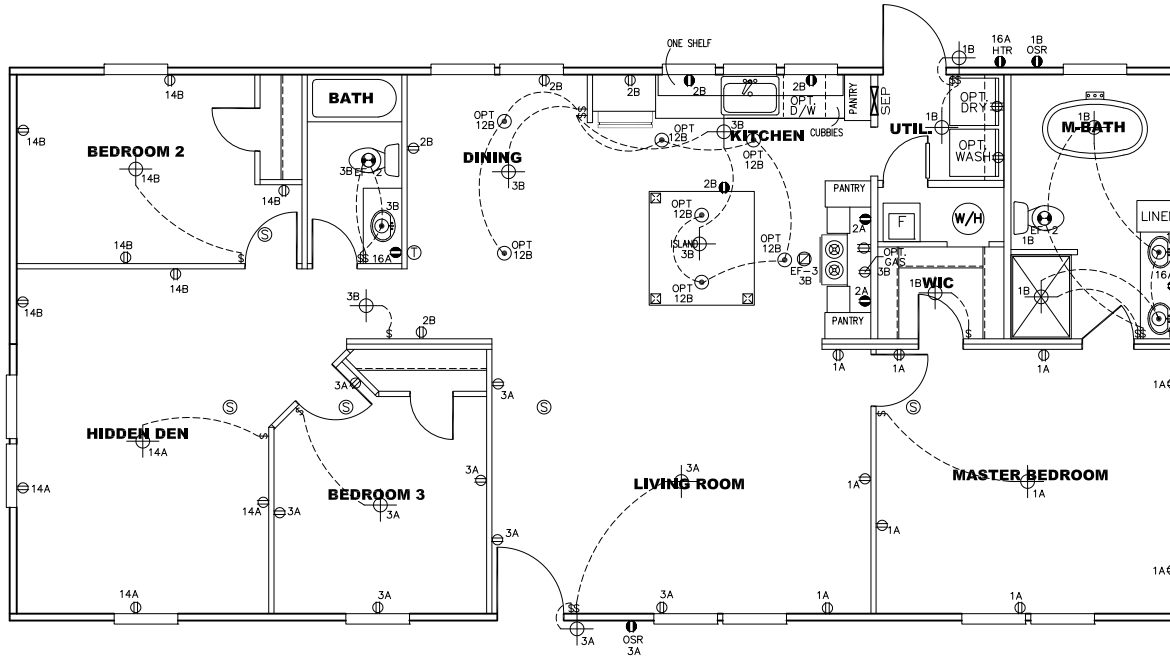
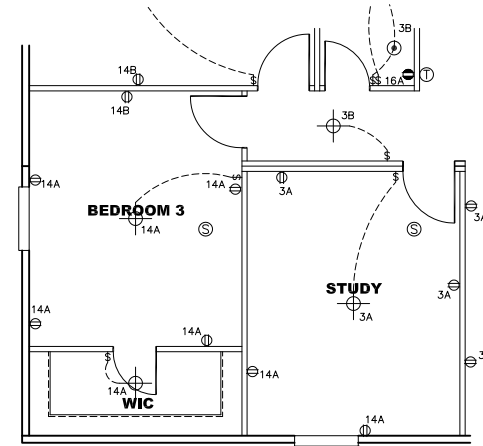


NOTES:

- 1) ALL CIRCUITS SHOWN ARE FOR REFERENCE AND MAY BE CHANGED BASED ON OPTIONAL COMPONENTS INSTALLED IN THE HOME.
- 2) REFER TO EL SECTION OF THE DAPIA FOR SYMBOL CHART.
- 3) INDICATES EITHER LIGHT OR RECEPTACLE MUST CONNECT TO SWITCH.
- 4) EF-1= 50 CFM EXHAUST FAN REQUIRED FOR THERMAL ZONE III. THERMAL ZONES I & II MAY USE FAN OR WINDOW W/1.5 SQ. FT. OPENABLE GLASS.
- 5) EF-2= 50 CFM EXHAUST FAN REQUIRED THERMAL ZONE I, II, AND III.
- 6) EF-3= 100 CFM RANGE EXHAUST FAN, SWITCH AT HOOD.
- 7) EF-4= WHOLE HOUSE VENTILATION PER REQUIREMENTS IN S-HV-10 & 10A OR M-HV-11 & 11A OF DAPIA.
- 8) REFER TO EL SECTION OF THE DAPIA OR THE MFG. INSTALLATION INSTRUCTIONS FOR PROPER WIRE SIZE AND BREAKER SIZE FOR SPECIFIC APPLIANCE AND MODEL BEING INSTALLED.
- 9) ALL SMOKE ALARMS TO BE LOCATED ON THE CEILING.
- 10) DIMENSIONS SHOWN ON PRINT ARE APPROXIMATE AND TO BE USED ONLY AS A GUIDELINE.



**4 BEDROOM OPT.**



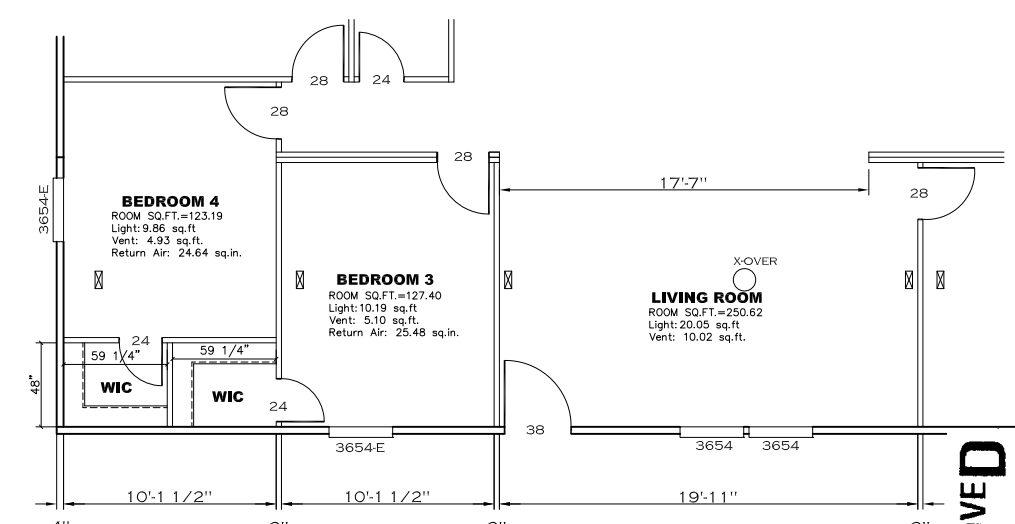
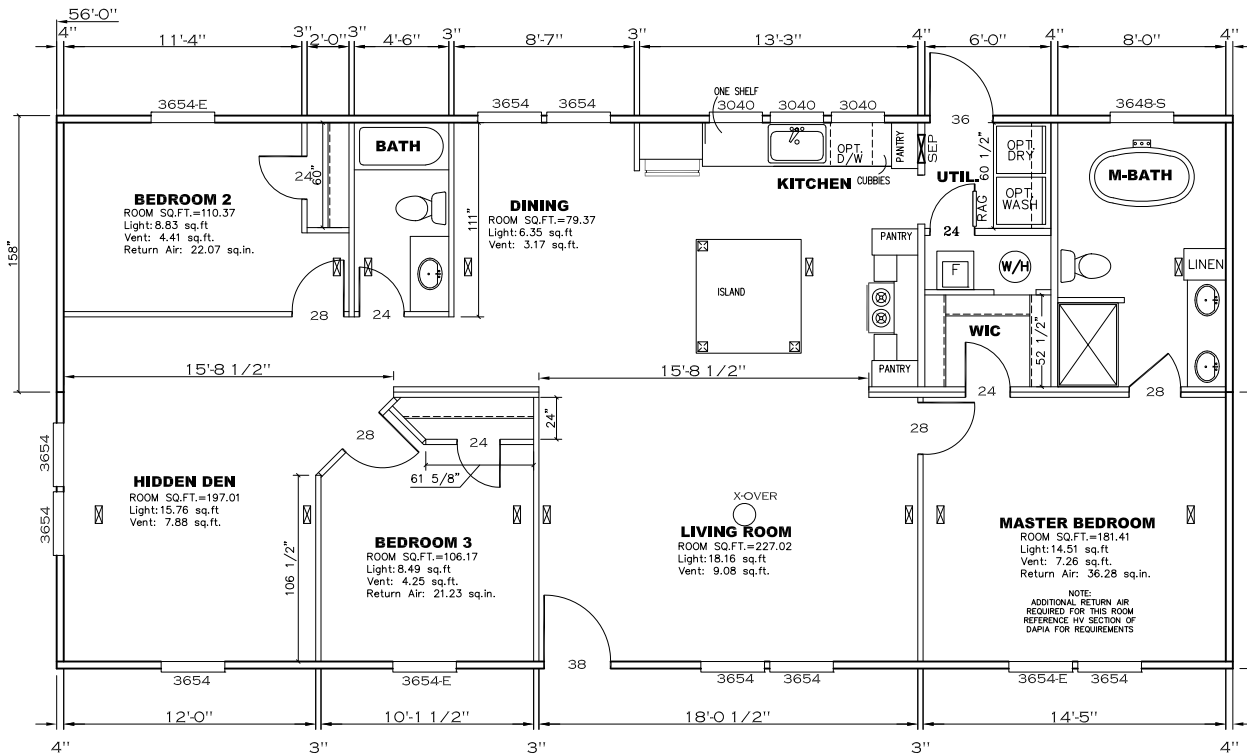
**3 BEDROOM W/ OPT STUDY**

1474 SQ.FT. (STD PLAN "CONDITIONED")  
 N/A SQ.FT. (W/OPT. PORCH/RECESS "CONDITIONED")

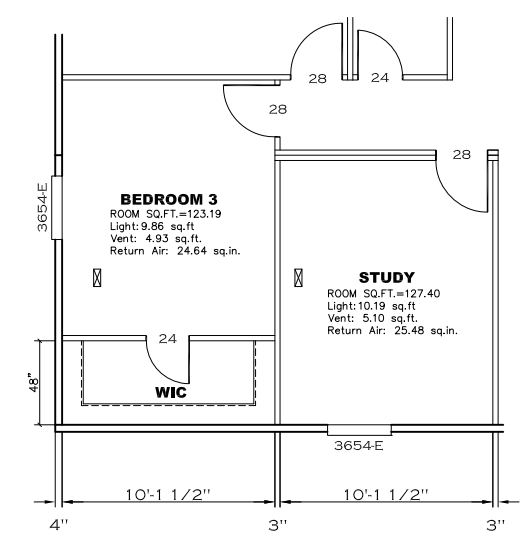
CIRCUIT	CIRCUIT #	WIRE	BREAKER	CIRCUIT	CIRCUIT #	WIRE	BREAKER	CIRCUIT	CIRCUIT #	WIRE	BREAKER
LIGHT/RECEP	1A,B,3A,B,14A,B,12B	14-2	15-SP	WATER HEATER	4A,6B	SEE NOTE #8		BATHROOM	16A	12-2	20-SP
KITCHEN	2A,2B	12-2	20-SP	RANGE	5B,7A	SEE NOTE #8		OPT G/DISP	9B	SEE NOTE #8	
WASHER	12A	12-2	20-SP	FURNACE	6A,8A,B,10A,B	SEE NOTE #8		OPT SPA/WP/JAC	11A,B	SEE NOTE #8	
DRYER	5A,7B	SEE NOTE #8		OPT D/WASH	9A	SEE NOTE #8		FREEZER	N/A	SEE NOTE #8	
				SMOKE ALARM	4B	SEE NOTE #8					

<b>CMH</b> MANUFACTURING	Model #: ELT28563A	Drawing #:
	Date: 7/1/19	Scale: NTS
Product Designer: E HARDWICK	28' x 56' The Enforcer Elite	
<b>ELECTRICAL PLAN-06</b>		

**APPROVED** **HWC** **APPROVED**  
**REVISED**  
 MAR 04 2020  
 FP-28-5251  
 Federal Manufactured  
 Home Construction  
 And Safety Standards



**4 BEDROOM OPT.**



**3 BEDROOM W/ OPT STUDY**

1474 SQ.FT. (STD PLAN "CONDITIONED")  
N/A SQ.FT. (W/OPT. PORCH/RECESS "CONDITIONED")

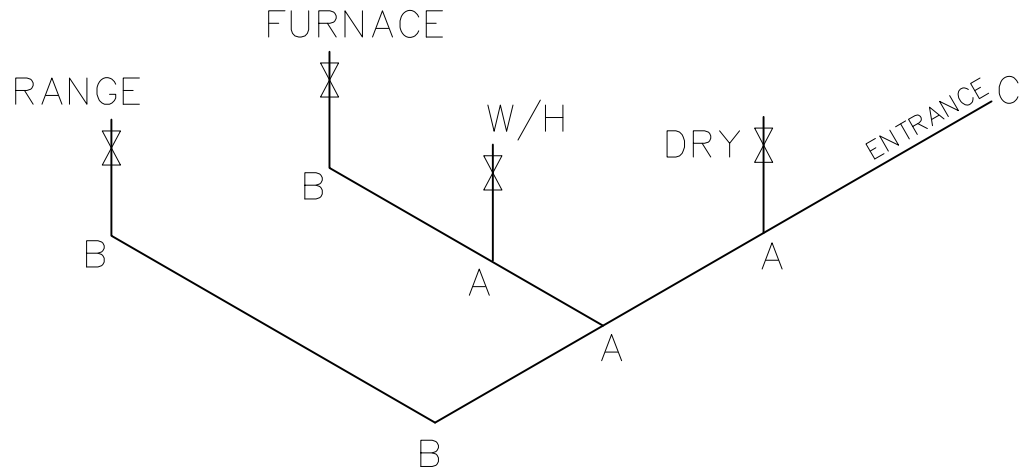
**APPROVED** **HWG** **APPROVED**  
11 JUL 2019  
FP-28-5251  
Federal Manufactured  
Home Construction  
And Safety Standards

<b>CMH</b> MANUFACTURING	Model #: ELT28563A	Drawing #:
	Date: 7/1/19	Scale: NTS
Product Designer: E HARDWICK	28' x 56' The Enforcer Elite	

**FLOOR PLAN**

LEGEND		APPLIANCE BTU's RATINGS MAX. INPUT	
SYM	FITTINGS		
A	TEE	FURNACE	65,000 BTU'S
B	90 ELL	W/H	37,000 BTU'S
X	VALVE	RANGE	52,000 BTU'S
C	CAP	DRYER	22,000 BTU'S

MDL=19'



NOTES:

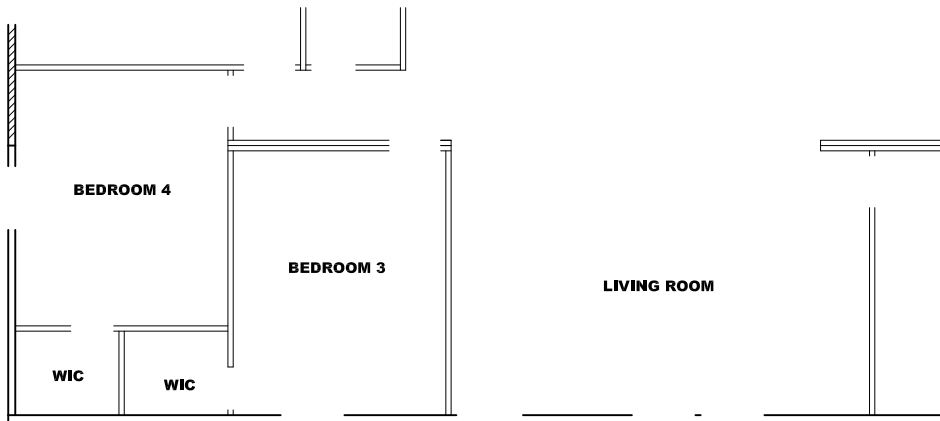
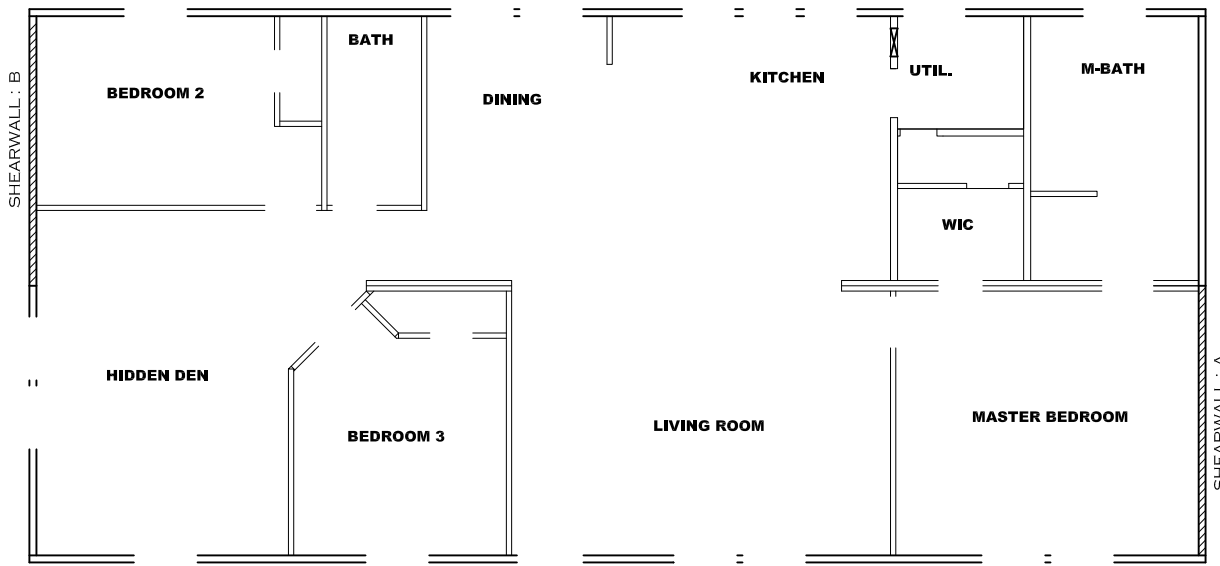
- 1) ALL PIPE IS 3/4" I.D.CAST (EXCEPT WHERE NOTED OTHERWISE)
- 2) MDL=MAX. DETERMINED LENGTH OF PIPE
- 3) FITTING MAY BE ADDED OR SUBTRACTED TO TRAVERSE VARIATIONS IN AXLE QUANTITY, PLACEMENT, AND FRAME TYPE.
- 4) INLET LOCATION MAY VARY TO STAY WITHIN MAX. DETERMINED LENGTH

GAS LINE SIZE CHART	
	= 1"
	= 3/4"

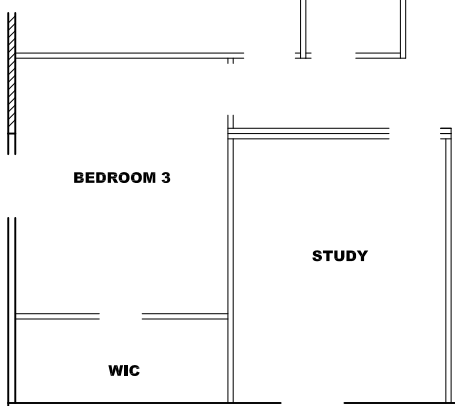
**APPROVED**  
**HWG**  
**APPROVED**  
 11 JUL 2019  
 FP-28-5251  
 Federal Manufactured  
 Home Construction  
 And Safety Standards

1474 SQ.FT. (STD PLAN "CONDITIONED")  
 N/A SQ.FT. (W/OPT. PORCH/RECESS "CONDITIONED")

<b>CMH</b> MANUFACTURING	Model #: ELT28563A	Drawing #:
	Date: 7/1/19	Scale: NTS 29m167
Product Designer: E HARDWICK		28' x 56' The Enforcer Elite
<b>GAS LINE DETAIL</b>		



**4 BEDROOM OPT.**



**3 BEDROOM W/ OPT STUDY**

**APPROVED** **HWG** **APPROVED**  
 11 JUL 2019  
 FP-28-5251  
 Federal Manufactured  
 Home Construction  
 And Safety Standards

**Model # 29m167-8ft**

Box Width =	158 "	Double wide	Minimum Joist Spacing 16 "
Box Length =	56 ft.	95.5" 10" MIN. IBEAM	No Offset Box
No Skylights			No Clerestory
No Porches			No Origami Dormer
Joist Size =	#2 spf 2x6	Lags 9Mx3"	No Sunken Floor
			No Parapet Roof

**Version R13.8**

<b>Wind Zone 1 Standard Roof</b>	(3/8" sheathing only with 15 gax 1.5" at 5"/10" oc. (197 plf) Chords: #3 2x4 plate w/ 2x4 rail spliced w/ 12" glue block.	96 inch sidewall
Diaphragm Construction:		

Shearwall	Dist./ Hitch	Length	PLF	# of Joists	Lags	Notes
A	0'	128"	162	2	2/1	
B	56'	128"	162	2	2/1	

<b>Wind Zone 2 Standard Roof</b>	(3/8" sheathing only with 15 gax 1.5" at 5"/10" oc. (197 plf) Chords: #3 2x4 plate w/ 2x4 rail spliced w/ 12" glue block.	96 inch sidewall
Diaphragm Construction:		

Shearwall	Dist./ Hitch	Length	PLF	# of Joists	Lags	Notes
A	0'	Full	425	2	5/5	
B	56'	Full	425	2	5/5	

<b>Wind Zone 3 Standard Roof</b>	(3/8" & ceiling with 15 gax 1.5" at 5"/10" oc. (267 plf) Chords: #3 2x4 plate w/ 2x4 rail spliced w/ 12" glue block.	96 inch sidewall
Diaphragm Construction:		

Shearwall	Dist./ Hitch	Length	PLF	# of Joists	Lags	Notes
A	0'	Full	425	2	5/5	
B	56'	Full	425	2	5/5	

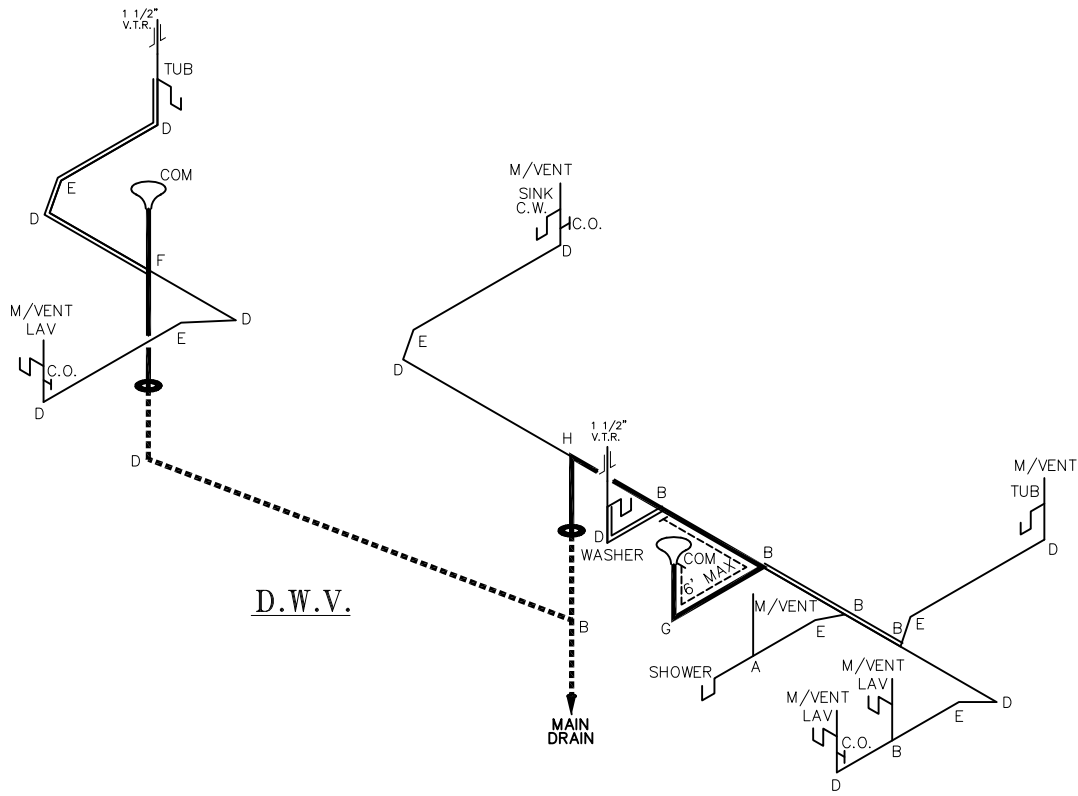
NOTE: WIND ZONE III – PLF 267

1474 SQ.FT. (STD PLAN "CONDITIONED")  
 N/A SQ.FT. (W/OPT. PORCH/RECESS "CONDITIONED")

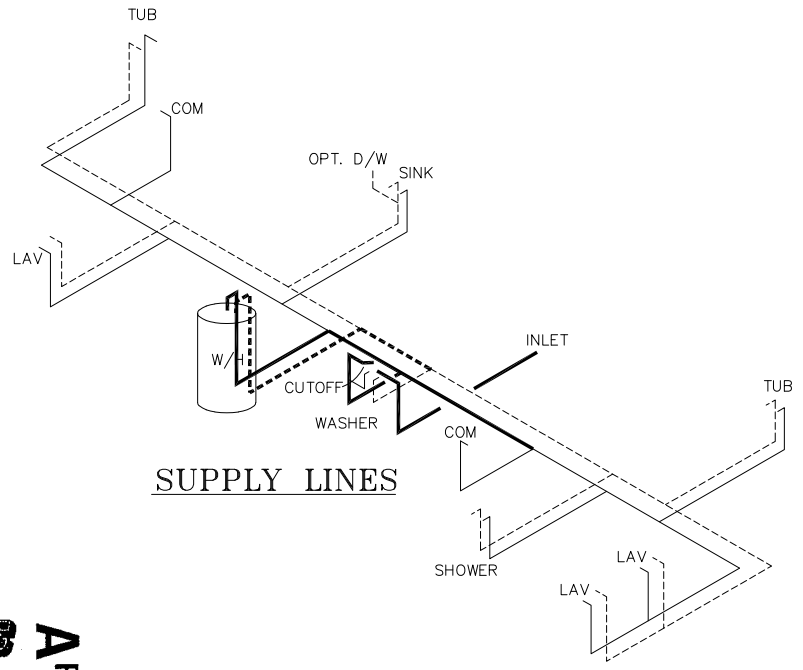
<b>CMH</b> MANUFACTURING	Model #: ELT28563A	Drawing #:
	Date: 7/1/19	Scale: NTS 29m167
Product Designer: E HARDWICK	28' x 56' The Enforcer Elite	
<b>8' SHEARWALL</b>		

NOTE:  
DASHED LINES INDICATE HOT WATER  
SOLID LINES INDICATE COLD WATER

— = 3/4"  
— = 1/2"



D.W.V.



SUPPLY LINES

DWV LINE SIZE CHART	
— (thick)	= 3"
— (medium)	= 2"
— (thin)	= 1 1/2"

LEGEND	
A	SHORT TURN T-Y
B	LONG TURN T-Y
C	1/4 BEND
D	LONG SWEEP 1/4 BEND
E	45 ELL
F	DBL. SANITARY TEE
G	4x3 CLOSET ELL
H	DOUBLE ELL
I	22 1/2" ELL
J	45° Y
K	LONG TURN STREET ELBOW
L	45 FTG ELL

**APPROVED** **RWC** **APPROVED**  
 11 JUL 2019  
 FP-28-5251  
 Federal Manufactured Home Construction And Safety Standards

1474 SQ.FT. (STD PLAN "CONDITIONED")  
 N/A SQ.FT. (W/OPT. PORCH/RECESS "CONDITIONED")

<b>CMH</b> MANUFACTURING Product Designer: E HARDWICK	Model #: ELT28563A Date: 7/1/19	Drawing #: 29m167
	28' x 56' The Enforcer Elite	
<b>D.W.V. and Supply Lines</b>		