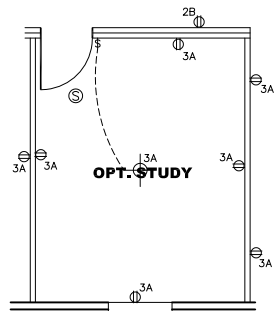
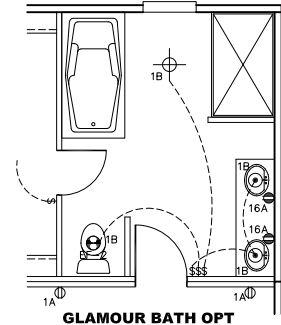
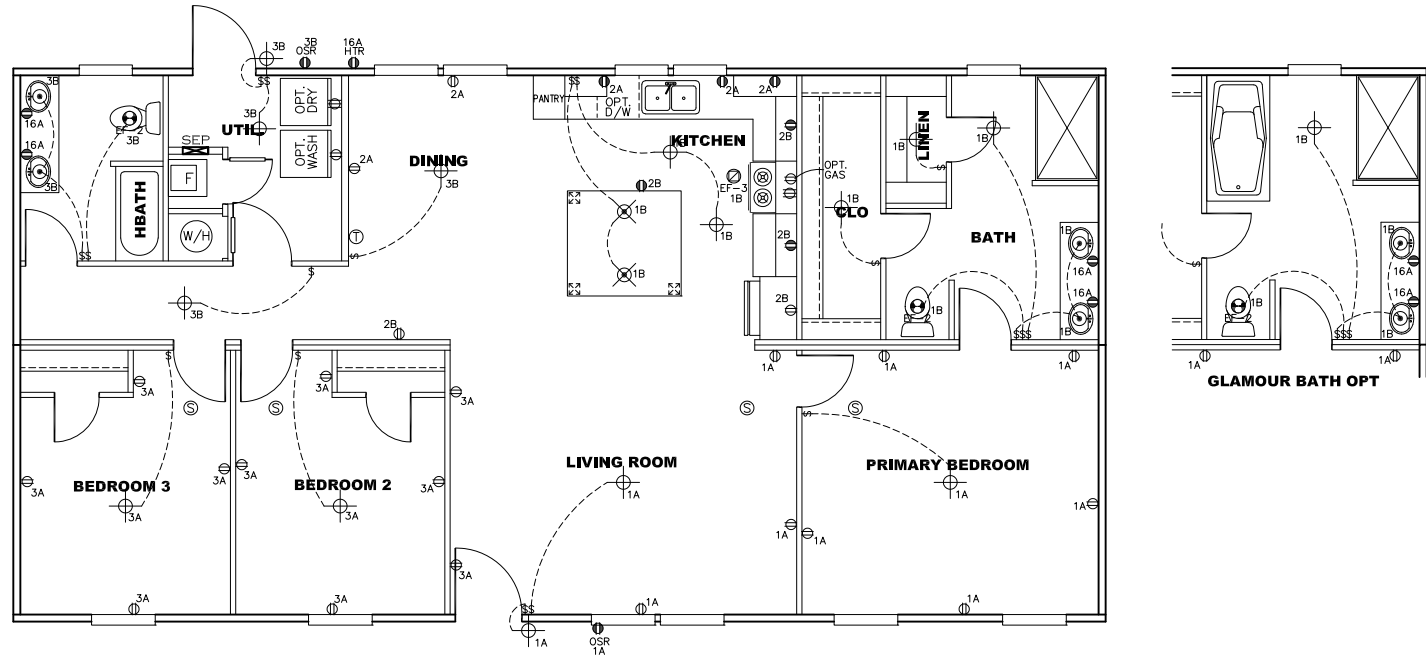


CIRCUIT	CIRCUIT #	WIRE	BREAKER	CIRCUIT	CIRCUIT #	WIRE	BREAKER	CIRCUIT	CIRCUIT #	WIRE	BREAKER
LIGHT/RECEP	1A,1B,3A,3B	14-2	15-SP	WATER HEATER	4A,6B	SEE NOTE #8		BATHROOM	16A	12-2	20-SP
KITCHEN/DINING	2A,2B	12-2	20-SP	RANGE	5B,7A	SEE NOTE #8		OPT G/DISP	9B	SEE NOTE #8	
WASHER	12A	12-2	20-SP	OPT GAS RANGE	15B	SEE NOTE #8		OPT SPA/WP/JAC	11A,B	SEE NOTE #8	
DRYER	5A,7B	SEE NOTE #8		FURNACE	6A,8A,B,10A,B	SEE NOTE #8		FREEZER	N/A	SEE NOTE #8	
				OPT D/WASH	9A	SEE NOTE #8					
				SMOKE ALARM	4B	SEE NOTE #8					

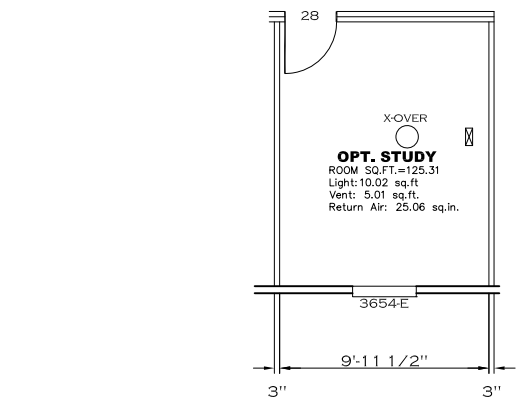
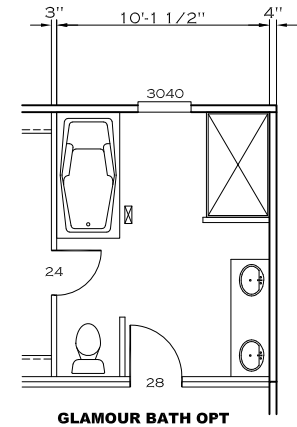
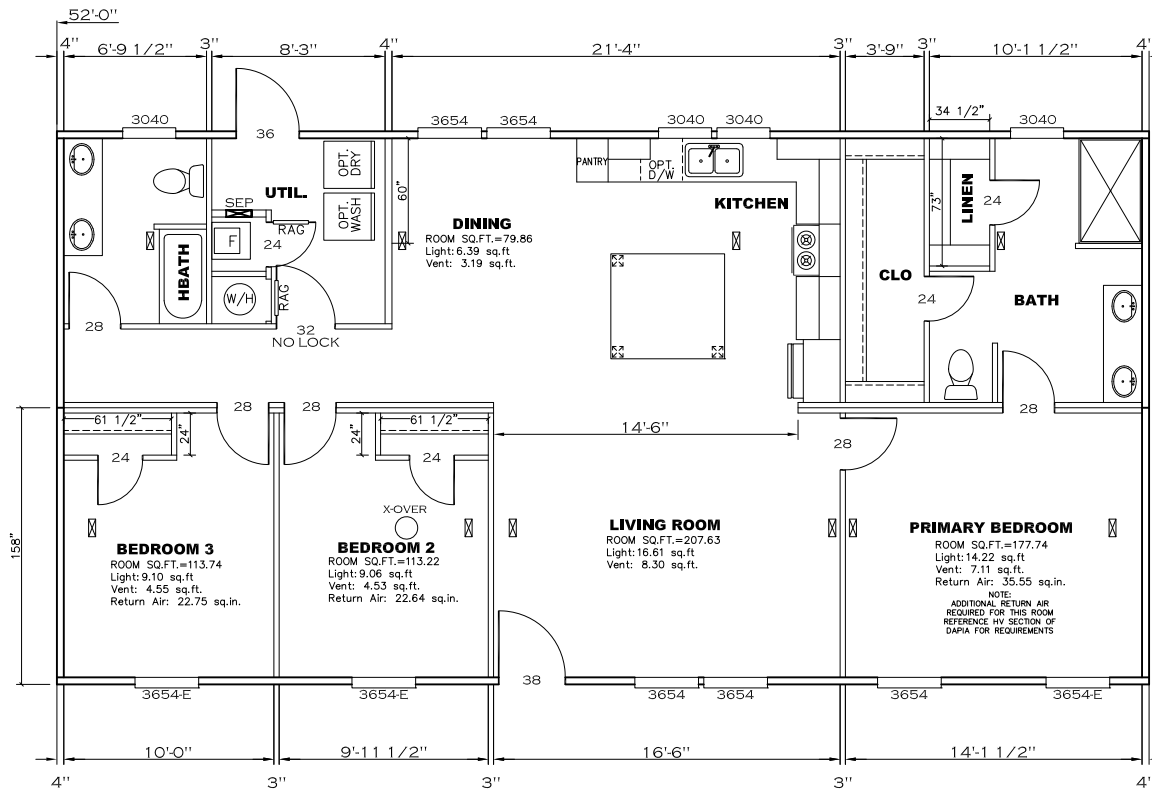


NOTES:

- 1) ALL CIRCUITS SHOWN ARE FOR REFERENCE AND MAY BE CHANGED BASED ON OPTIONAL COMPONENTS INSTALLED IN THE HOME.
- 2) REFER TO EL SECTION OF THE DAPIA FOR SYMBOL CHART.
- 3) INDICATES EITHER LIGHT OR RECEPTACLE MUST CONNECT TO SWITCH.
- 4) EF-1= 50 CFM EXHAUST FAN REQUIRED FOR THERMAL ZONE III THERMAL ZONES I & II MAY USE FAN OR WINDOW W/1.5 SQ. FT. OPENABLE GLASS.
- 5) EF-2= 50 CFM EXHAUST FAN REQUIRED THERMAL ZONE I, II, AND III.
- 6) EF-3= 100 CFM RANGE EXHAUST FAN, SWITCH AT HOOD.
- 7) EF-4= WHOLE HOUSE VENTILATION PER REQUIREMENTS IN S-HV-10 & 10A OR M-HV-11 & 11A OF DAPIA.
- 8) REFER TO EL SECTION OF THE DAPIA OR THE MFG. INSTALLATION INSTRUCTIONS FOR PROPER WIRE SIZE AND BREAKER SIZE FOR SPECIFIC APPLIANCE AND MODEL BEING INSTALLED.
- 9) ALL SMOKE ALARMS TO BE LOCATED ON THE CEILING.
- 10) DIMENSIONS SHOWN ON PRINT ARE APPROXIMATE AND TO BE USED ONLY AS A GUIDELINE.

1369 SQ.FT. (STD PLAN "CONDITIONED")  
 N/A SQ.FT. (W/OPT. PORCH/RECESS "CONDITIONED")

<b>CMH</b> MANUFACTURING Product Designer: E HARDWICK	Model #: UBR28523A Date: 1/14/20 Scale: NTS	Drawing #: 29m175
	28 X 52 Ultra Breeze 52	
<b>ELECTRICAL PLAN-06</b>		

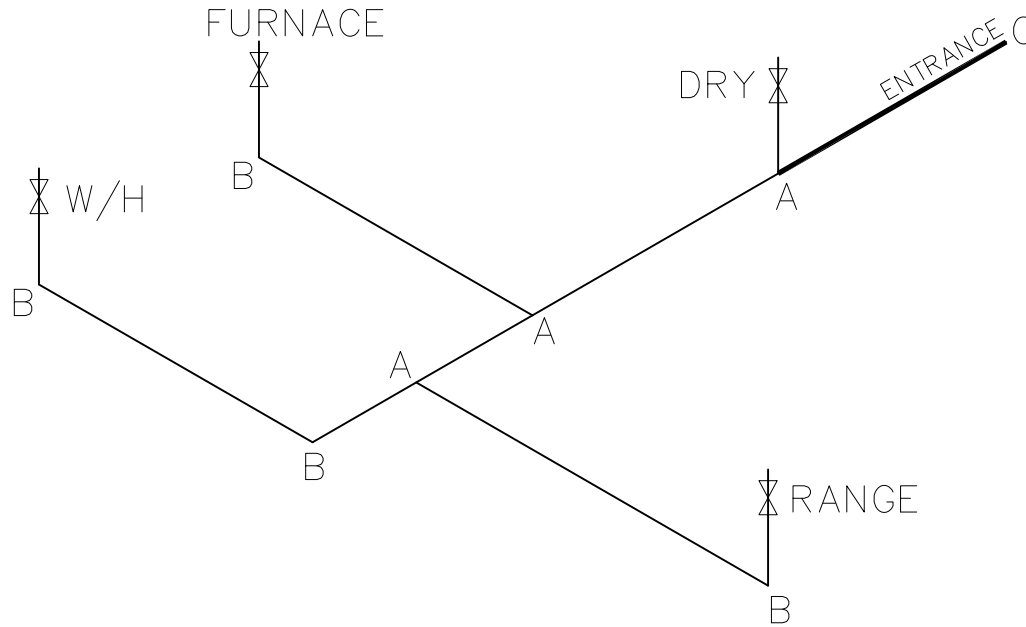


1369 SQ.FT. (STD PLAN "CONDITIONED")  
N/A SQ.FT. (W/OPT. PORCH/RECESS "CONDITIONED")

<b>CMH</b> MANUFACTURING Product Designer: E HARDWICK	Model #: UBR28523A Date: 1/14/20	Drawing #: 29m175 Scale: NTS
	28 X 52 Ultra Breeze 52	
<b>FLOOR PLAN</b>		


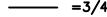
LEGEND		APPLIANCE BTU'S RATINGS MAX. INPUT	
SYM	FITTINGS		
A	TEE	FURNACE	65,000 BTU'S
B	90 ELL	W/H	37,000 BTU'S
X	VALVE	RANGE	52,000 BTU'S
C	CAP	DRYER	22,000 BTU'S

MDL = 35'



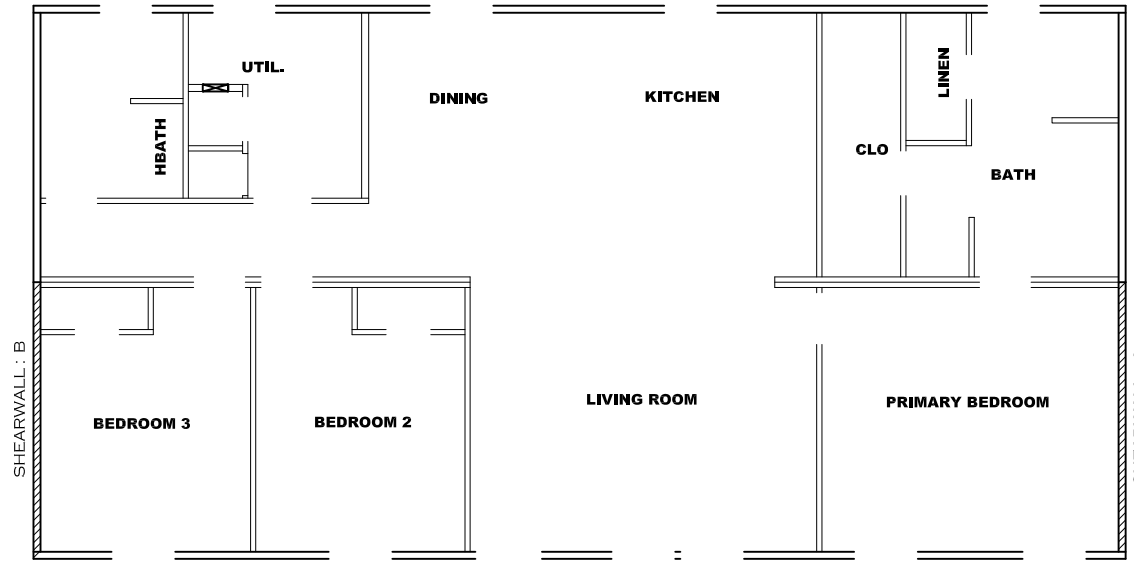
NOTES:

- 1) ALL PIPE IS 3/4" I.D. CAST (EXCEPT WHERE NOTED OTHERWISE)
- 2) MDL=MAX. DETERMINED LENGTH OF PIPE
- 3) FITTING MAY BE ADDED OR SUBTRACTED TO TRAVERSE VARIATIONS IN AXLE QUANTITY, PLACEMENT, AND FRAME TYPE.
- 4) INLET LOCATION MAY VARY TO STAY WITHIN MAX. DETERMINED LENGTH

GAS LINE SIZE CHART	
	= 1"
	= 3/4"

1369 SQ.FT. (STD PLAN "CONDITIONED")  
 N/A SQ.FT. (W/OPT. PORCH/RECESS "CONDITIONED")

<b>CMH</b> MANUFACTURING Product Designer: E HARDWICK	Model #: UBR28523A Date: 1/14/20	Drawing #: 29m175 Scale: NTS
	28 X 52 Ultra Breeze 52	
<b>GAS LINE DETAIL</b>		



**Model # 29m175-8ft**

Minimum Joist Spacing 16 "

Box Width = 158 " Double wide No Offset Box  
 Box Length = 52 ft. 95.5" 10" MIN. IBEAM No Clerestory  
 No Skylights No Origami Dormer  
 No Porches No Sunken Floor  
 Joist Size = #2 spf 2x6 Lags 9Mx3" No Parapet Roof

**Version R13.8**

**Wind Zone 1 Standard Roof** (3/8" sheathing only with 15 gax 1.5" at 5"/10" 96 inch sidewall  
 Diaphragm Construction: oc. (197 plf) Chords: #3 2x4 plate w/ 2x4 rail spliced w/ 12" glue block.

Shearwall	Dist./ Hitch	Length	PLF	# of Joists	Lags	Notes
A	0'	116"	162	2	2/1	
B	52'	116"	162	2	2/1	

**Wind Zone 2 Standard Roof** (3/8" sheathing only with 15 gax 1.5" at 5"/10" 96 inch sidewall  
 Diaphragm Construction: oc. (197 plf) Chords: #3 2x4 plate w/ 2x4 rail spliced w/ 12" glue block.

Shearwall	Dist./ Hitch	Length	PLF	# of Joists	Lags	Notes
A	0'	Full	425	2	5/5	
B	52'	Full	425	2	5/5	

**Wind Zone 3 Standard Roof** (3/8" sheathing only with 15 gax 1.5" at 5"/10" 96 inch sidewall  
 Diaphragm Construction: oc. (197 plf) Chords: #3 2x4 plate w/ 2x4 rail spliced w/ 12" glue block.

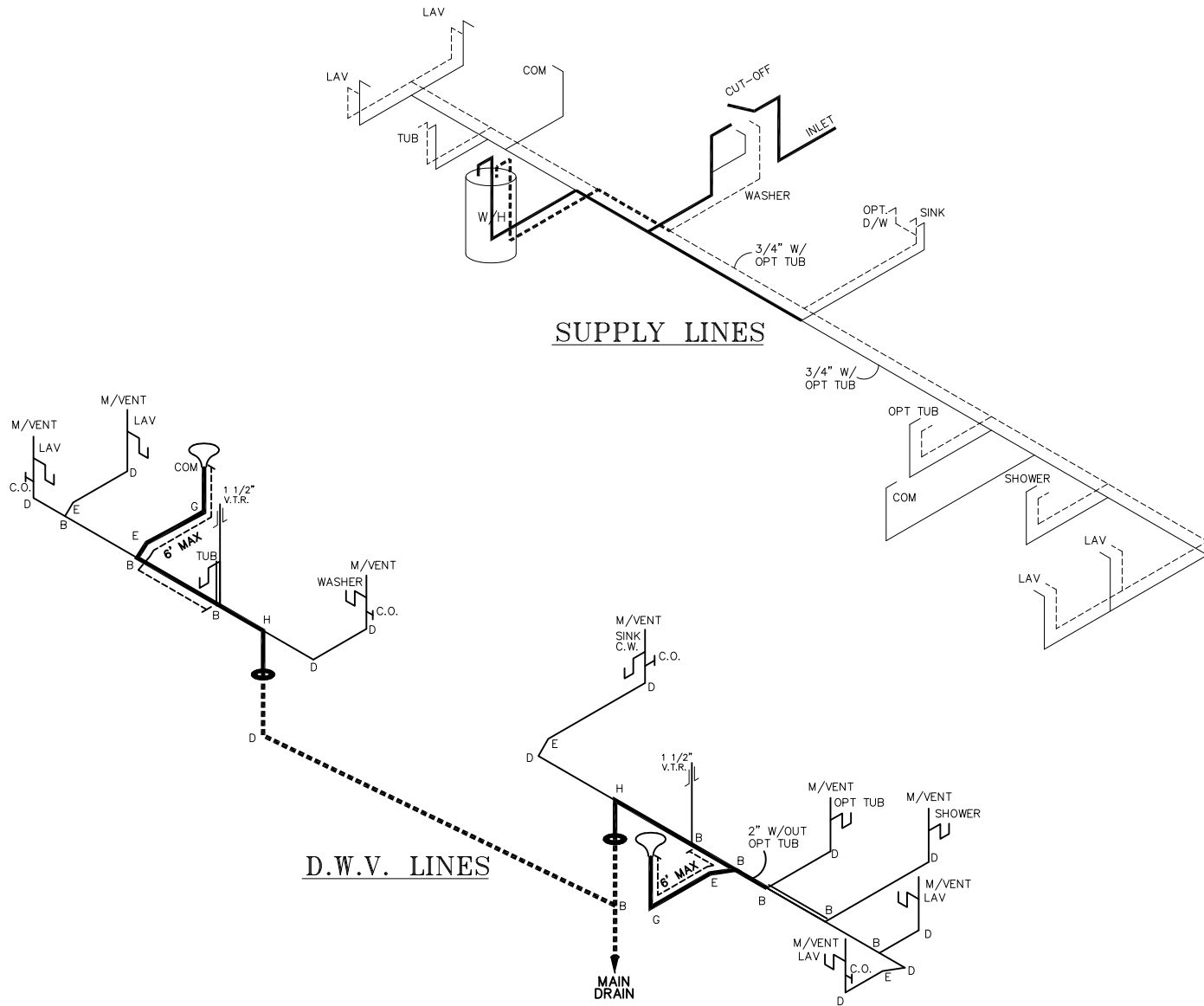
Shearwall	Dist./ Hitch	Length	PLF	# of Joists	Lags	Notes
A	0'	Full	425	2	5/5	
B	52'	Full	425	2	5/5	

1369 SQ.FT. (STD PLAN "CONDITIONED")  
 N/A SQ.FT. (W/OPT. PORCH/RECESS "CONDITIONED")

<b>CMH</b> MANUFACTURING	Model #: UBR28523A	Drawing #:
	Date: 1/14/20	Scale: NTS 29m175
Product Designer: E HARDWICK		28 X 52 Ultra Breeze 52
<b>8' SHEARWALL</b>		

NOTE:  
 DASHED LINES INDICATE HOT WATER  
 SOLID LINES INDICATE COLD WATER

———— = 3/4"  
 ———— = 1/2"



LEGEND	
A	SHORT TURN T-Y
B	LONG TURN T-Y
C	1/4 BEND
D	LONG SWEEP 1/4 BEND
E	45 ELL
F	DBL. SANITARY TEE
G	4x3 CLOSET ELL
H	DOUBLE ELL
I	22 1/2" ELL
J	45° Y
K	LONG TURN STREET ELBOW
L	45 FTG ELL

DWV LINE SIZE CHART	
————	= 3"
=====	= 2"
————	= 1 1/2"

1369 SQ.FT. (STD PLAN "CONDITIONED")  
 N/A SQ.FT. (W/OPT. PORCH/RECESS "CONDITIONED")

<b>CMH</b> MANUFACTURING Product Designer: E HARDWICK	Model #: UBR28523A Date: 1/14/20 Scale: NTS	Drawing #: 29m175
	<b>D.W.V. and Supply Lines</b>	